

# Gitiesse Girotecnica

Via al Ponte Polcevera 8/14

16161 Genova Italy

Phone : +39010 7492 263

Fax : +39010 7402 131

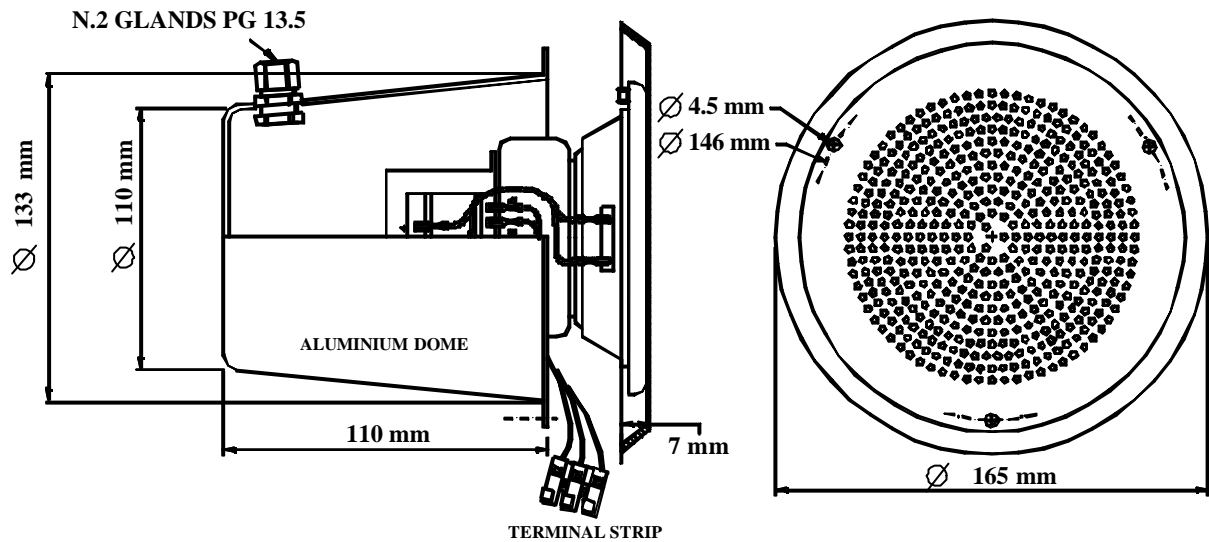
WebSite: [www.gitiesse.com](http://www.gitiesse.com)

E-mail: [gitiesse@gitiesse.com](mailto:gitiesse@gitiesse.com)

## IMCOS™ 6801/AL

Ceiling loudspeaker

Aluminium dome



Colour	RAL 9010
Dome	Aluminium
Mounting	3 Screws
Terminal	Spring Clamp
Weight	1.0 Kg
Power	6 W
Standard model	Transformer 100/50 V / 8 Ohm
Effective frequency range	50-20.000 Hz
Max SPL 1W / 1m	92 dB
Dispersion (-6dB) 1000 / 4000 Hz	170/60 Degrees

Transformer: 100 / 50 V

Primary nominal tapings:

1 : 5	6,0 W
1 : 4	3,0 W
2 : 5	2,0 W
1 : 2	1,5 W
4 : 5	0,8 W
2 : 4	0,5 W



Gitiesse Girotecnica reserves the right to alter specifications without notice.